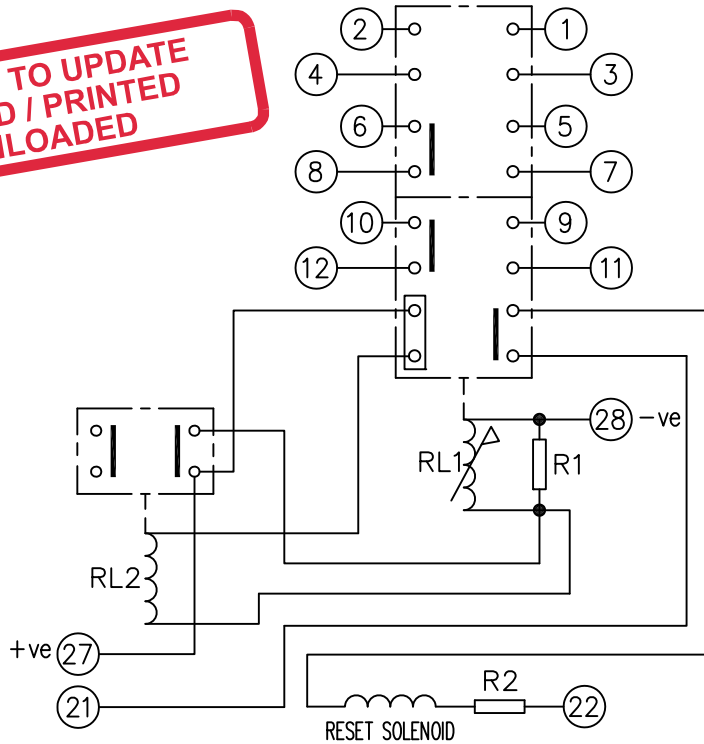


LOOKING ON FRONT OF RELAY

2112W50041

**NOT SUBJECT TO UPDATE
ONCE COPIED / PRINTED
OR DOWNLOADED**



KEY	R2	6R8 2102C15687		390R 2102C35391		2X100R IN SERIES 2102C41101	
make contact	Vdc	24	30	48	60	125	240
break contact	CONTACT CONFIG.	OUTPUT CONTACT PAIR / TERMINAL No.					
c/o contact		1-3	2-4	5-7	6-8	9-11	10-12
ext. conn plug bridge - shorting	6M	M	M	M	M	M	M
metering point	5M 1B	M	B	M	M	M	M
5Kv barrier	4M 2B	B	B	M	M	M	M
test socket - shorting	3M 3B	B	B	B	M	M	M
plug & socket	2M 4B	B	B	B	M	B	M

NOTE:
1. CONTACT CONFIGURATION ABOVE IS REQUIRED FOR RELAY OPERATION. FOR DETAILS OF VARIABLE CONTACT OPTIONS SEE TABLE OPPOSITE.
2. RESISTOR R1 IS FITTED ONLY WHEN REQUIRED. SEE TABLE ABOVE.

FRAME REFERENCE: E4FS05.

FRAME TERMINAL BLOCK ASSY: -

ASSEMBLY INSTRUCTIONS: -

TYPICAL ASSEMBLY DRAWING 2995G10032.

AT INDICATED POSITIONS FIT AS FOLLOWS:

T - FIT TRIP ISOLATION CONTACT 2995B10053

S - FIT STANDARD CONTACT 2995B10054

SECURE CONTACTS USING FIXING SCREW 2109F99009.

POSITIONS SHOWN BLANK ARE UNUSED

2	T	T	1
4	T	T	3
6	T	T	5
8	T	T	7
10	T	T	9
12	T	T	11
14			13
16			15
18			17
20			19
22	S	S	21
24			23
26			25
28	S	S	27

VIEW FROM NUMBERED SIDE OF BLOCK

OUTER TERMINAL BLOCK ASSY: -

ASSEMBLY INSTRUCTIONS: -

TYPICAL ASSEMBLY DRAWING 2995G10029.

AT INDICATED POSITIONS FIT AS FOLLOWS:

S - FIT STANDARD CONTACT 2995B10051

HC - FIT 'HEAVY CURRENT' KIT 2995G10030

WHERE IS SHOWN FIT CT SHORTING KIT 2995G10031

POSITIONS SHOWN BLANK ARE UNUSED.

ALL POSITIONS FIT SCREW 2106F12506.

2	S	S	1
4	S	S	3
6	S	S	5
8	S	S	7
10	S	S	9
12	S	S	11
14			13
16			15
18			17
20			19
22	S	S	21
24			23
26			25
28	S	S	27

VIEW FROM INSIDE FACE

5	07/12/09	MN112/3223	Title: T.B. AND WIRING DIAGRAM FOR 7PG15243 (TR243) 6 CONTACT RELAYS IN E4 CASE	First used on:
				Similar Articles:
ISSUE	DATE	MOD.No.	Original Scale: .	Supersedes:
DRAWN: A.LAW.	CHECKED: RD.WATSON	APPROVED: RD.WATSON		DATE: 08/12/2009
SIEMENS PROTECTION DEVICES LTD.			Drg.No. 2112W50041	
DRAWN: A.LAW.			CHECKED: RD.WATSON	APPROVED: RD.WATSON
DATE: 08/12/2009			IE:	OPS: